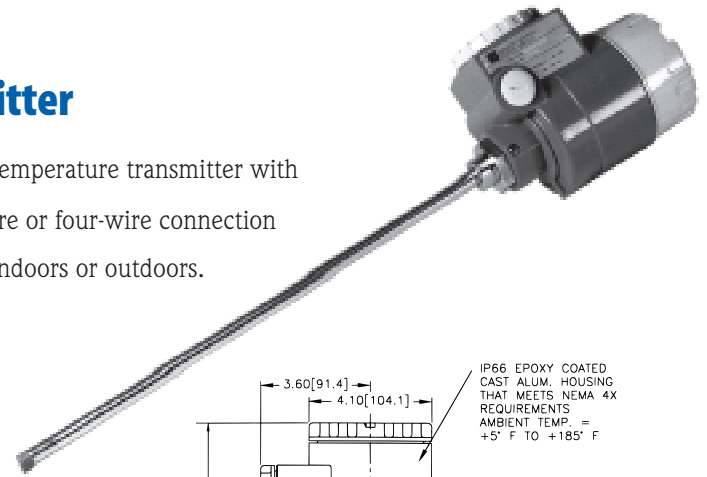


DewPro[®] MMR 101

High-Temperature Moisture Transmitter

A high-temperature loop-powered moisture and temperature transmitter with two current loops for in-line measurement. Simple two-wire or four-wire connection and rugged, stable housing ensure trouble-free mounting indoors or outdoors.

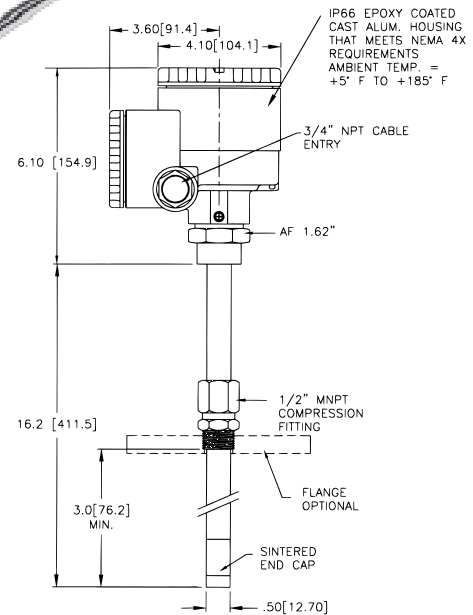


Features:

- Operating temperature up to 150°C (302°F)
- 0 to 100% relative humidity
- Dew point 0°C to 150°C (32°F to 302°F)
- 4 to 20 mA loop-powered
- Second isolated 4 to 20 mA loop for temperature measurement (patented)
- 1/2" MNPT or other process connections
- Capacitive polymer sensor
- Platinum RTD temperature sensor
- Microprocessor electronics in NEMA 4X enclosure (IP 66)
- IS or x-proof FM approved

Options:

- Integral Display with user interface
- English or Metric fittings
- External display available with loop-powered supply and alarm
- DewPro Communication Software contacts



Ordering Information: See page 10

Specifications

Sensing Element:	Polymer; capacitance	Hardware Selectable Units:	0% to 100% RH, 0°C to 100°C or 32°F to 212°F dew point (up to 320°F or 150°C under system pressure), 0 to 1000 g/m ³ absolute humidity, and 0 to 1000 g/kg mixing ratio dry air
RH Range:	0 to 100%	Standard Temperature Output:	0°C to 150°C (32°F to 302°F) range
RH Accuracy:	±2%	Display:	4-digit numeric display with bar graph and matrix position indication. Four user interface keys for unit selections, output adjustments and ranging
RH Resolution:	±0.02%	Protection:	NEMA 4X (IP 66) or X-proof
RH Repeatability:	±1%	Probe Tube:	316 SS, 0.5" diameter. Adjustable insertion length from 3" (76.33 mm) to 14.25" (362 mm)
Temperature Sensor:	Platinum RTD	Typical Mounting Adapter:	1/2" tube x 1/2" MNPT compression fitting; flanges and other sizes available upon request
Process Temperature Range:	0°C to +150°C (+32°F to +302°F)	Sensor Guard:	40 micron sintered filter, 316 SS cap
Temperature Accuracy:	±1.1 °C (±2°F)	Weight:	4.4 lbs (2 kg)
Temperature Resolution:	0.05°C (0.09°F)		
Operating Temperature Range:	Electronics, -40°C to +85°C (-40°F to 185°F)		
Maximum Operating Pressure:	150 psi (10.2 bar)		
Electronics:	Microprocessor controlled, loop-powered		
EMI/RFI Protection:	Meets IEC 801-1 through 801-6		
Loop Power Supply:	24 V DC nominal, 12 to 32 V DC range		
Outputs:	Two fully isolated 4 to 20 mA current loops (moisture and temperature) patented (U.S. patent #5,677,476)		